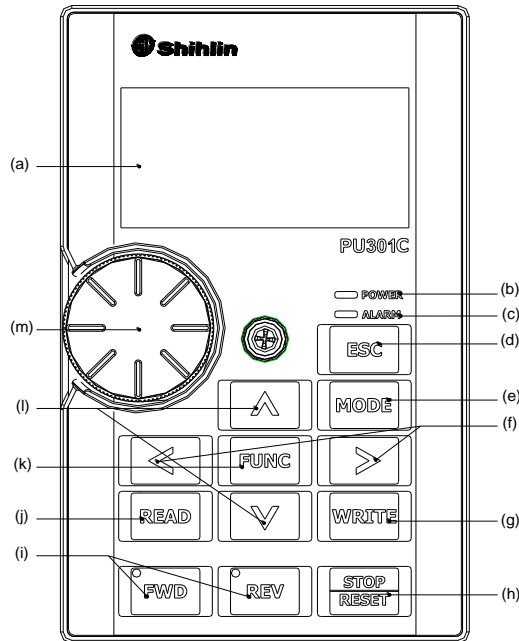


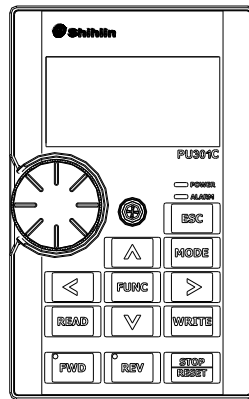
PU301C installation instruction

1. Component name of PU301C



NO.	Operation parts	Name	Content
(a)	LCD screen	LCD screen	Display menu, frequency, parameter number, parameter name and parameter value, etc.
(b)		Indicating lamp of power	Light up when the panel powers on.
(c)		Indicating lamp of alarm	Light up when the inverter alarm happens.
(d)		ESC button	Escape from the current interface.
(e)		MODE button	Switch the panel mode.
(f)		Left button, Right button	When setting value digit, choose the target digit.
(g)		WRITE button	Write parameter value, frequency, etc.
(h)		STOP/RESET button	Stop run command. Reset the inverter when the inverter alarm happens.
(i)		FWD button, REV button	FWD: Forward rotation is activated, and LED power is on. REV: Reverse rotation is activated, and LED power is on.
(j)		READ button	Read the parameter. Enter into the next menu.
(k)		FUNC button	Enter into the main menu.
(l)		UP button, DOWN button	UP: Increase the value. Switch the option. DOWN: Decrease the value. Switch the option.
(m)		M Setting dial	The function of clockwise rotation equals to UP button. The function of anticlockwise rotation equals to DOWN button.

2. PU301C appearance

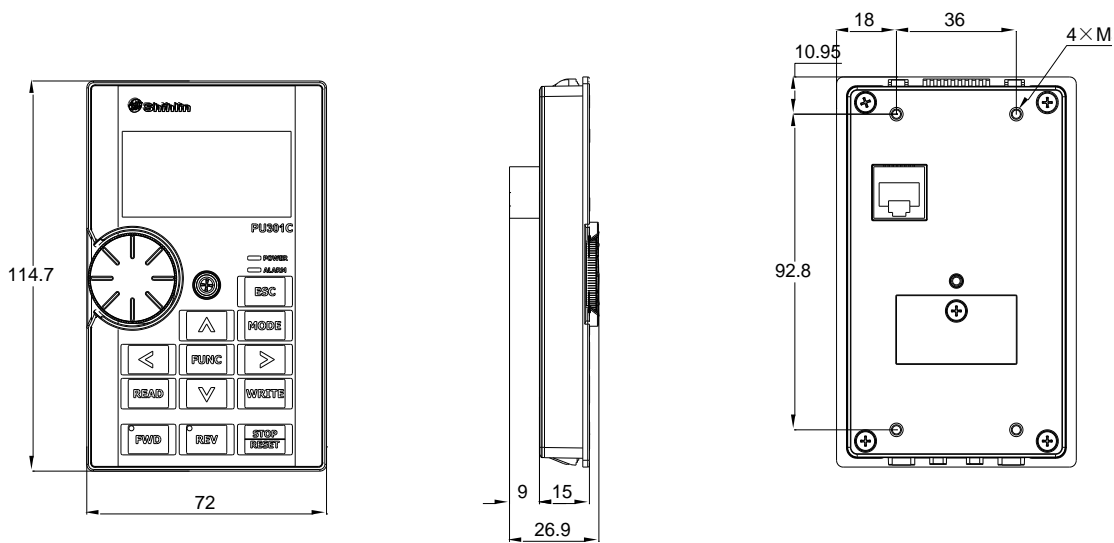


Ordering code:

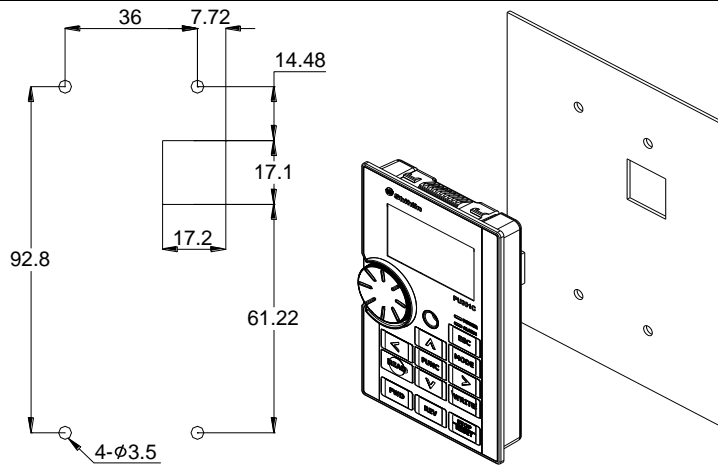
NO.	Type	Name	Ordering Code
1	PU301C	LCD parameter unit	SNKPU301C

3. PU301C dimensions

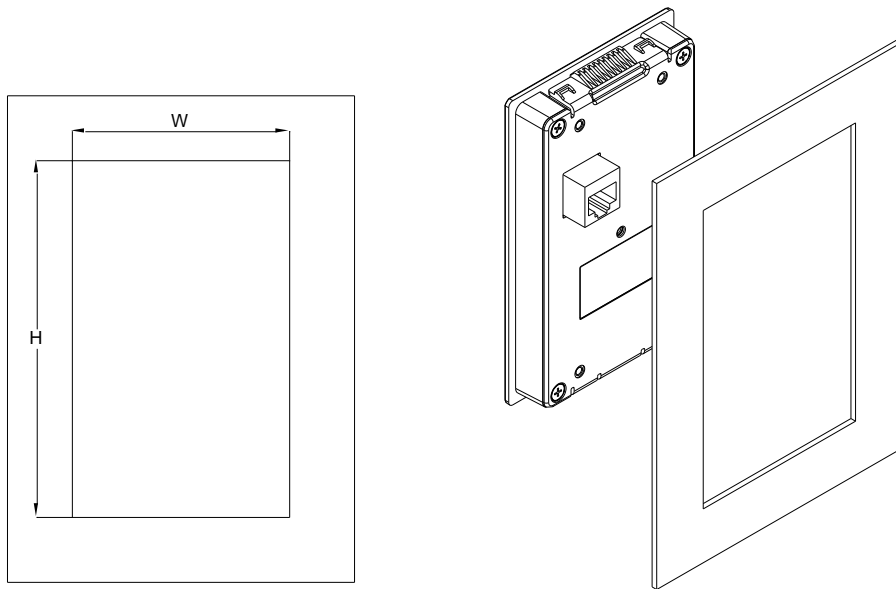
<Outline drawing>



4. Panel mounting cutout dimension



5. Flange mounting cutout dimension

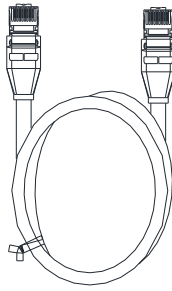


Panel thickness	1.2mm	1.6mm	2.0mm
W	66.4		
H	110.2	111.3	112.5

*Allowable error:±0.15mm

***If customer cutout accuracy cannot meet the allowable error, please purchase SMK301 (Snap Mounting Kit) for installation.**

6. Data transmission line



◆ Ordering code:

NO.	Type	Name	Ordering Code
1	CBL1R5GTN2	The data transmission line (1.5 m)	SNKCBL1R5GTN2
2	CBL03GTN2	The data transmission line (3 m)	SNKCBL03GTN2
3	CBL05GTN2	The data transmission line (5 m)	SNKCBL05GTN2
4	CBL10GTN2	The data transmission line (10 m)	SNKCBL10GTN2

7.Others

For details, Please refer to PU301C user manual which you can download from the following official websites:

[\(http://automation.seec.com.tw/\)](http://automation.seec.com.tw/)

